

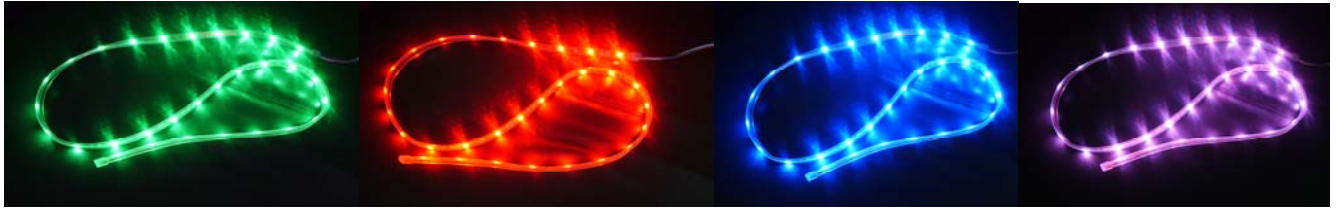


Waterproof LED Flex strip

SMD-5050-60RGB-SR



Waterproof of flex LED strip Image



Features

Use high-brightness RGB tri-color SMD LED as lighting source

Each LED has 120° viewing angle for even light

Highly flexible material, enabling to be applied on all accessible surfaces.

Up to ten full module can be connected.

Can realize the different color changing way through RGB controller

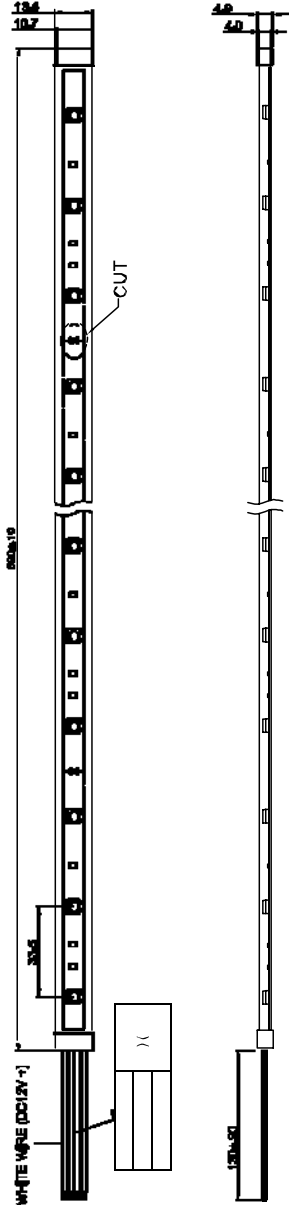
This strip with special mounting clip and silicon resin, for fixing and connecting

Totally waterproof (Resisting level: IP67)

Applications

- **Cove lighting; concealed lighting**
- **Path & contour marking**
- **Architectural decorative lighting**
- **Elegant interior decoration**
- **Backlighting for larger size ad-signs**
- **Landscape outlines**
- **Archway, canopy and bridge edge lighting**
- **Auditorium walkway lighting**
- **Stairway accent lighting**
- **Amusement park theater mood lighting**
- **Signal lighting, etc**

Package outlines



Notes:

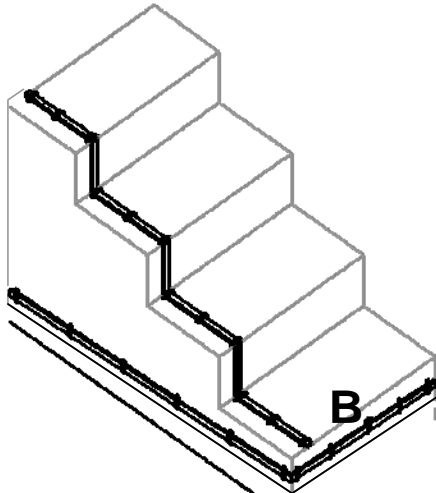
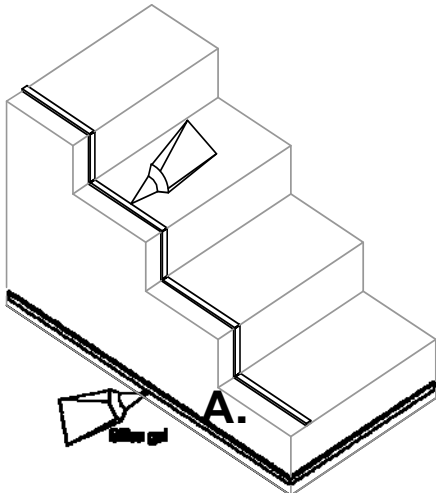
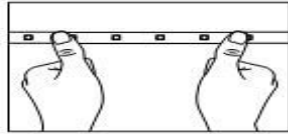
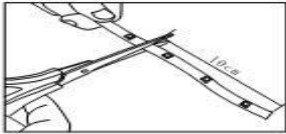
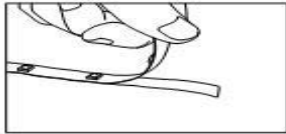
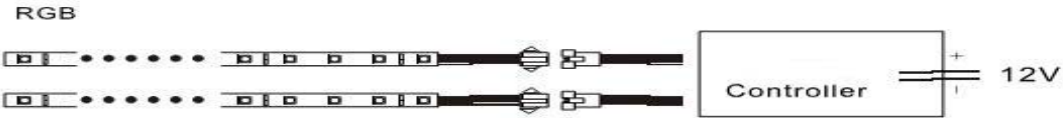
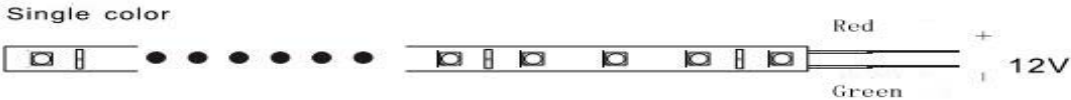
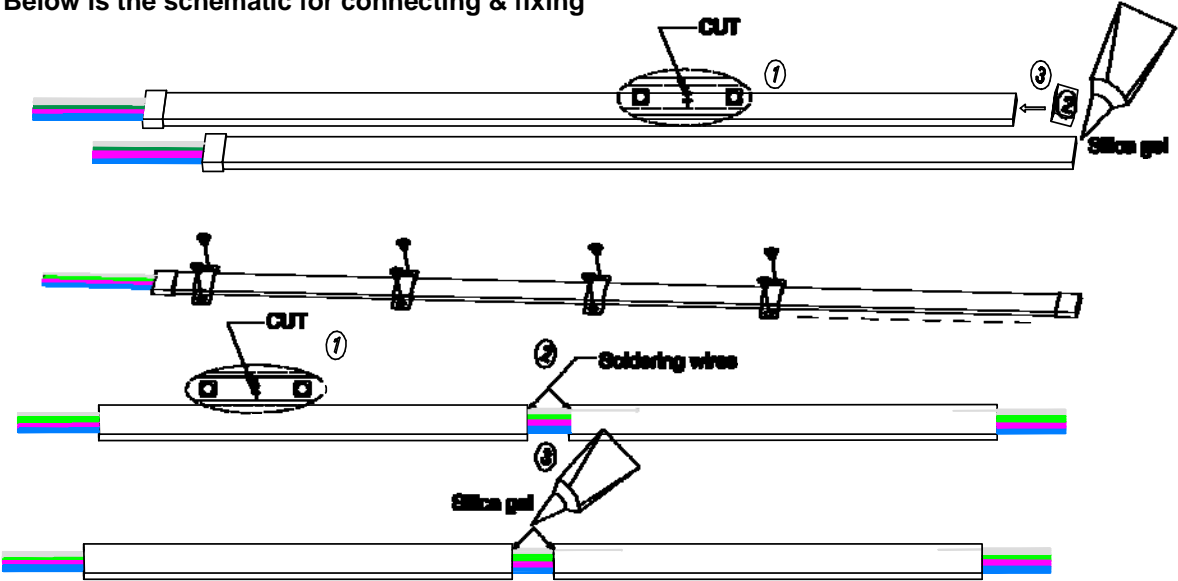
- 1. All dimensions are in millimeters.
- 2. Tolerance is ± 1 unless otherwise noted.
- 3. Specifications are subject to change without notice.

Electrical/Optical Characteristics at Ta=25

Parameter	Symbol	Values	Unit
Emitted color		RGB tri-color	/
Dominant Wavelength Typ.	d	R: 625	nm
		G: 525	nm
		B: 470	nm
PCB(White/Brown)	Reel	Length: 5	m
		Width:1	cm
		Thickn:2	mm
Luminous flux Typ.		G: 525	nm
		B: 470	nm
		B: 9	lm
Viewing Angle (Per LED) Typ.	2 1/2	120	
LED Quantity	Qty	60pcs	M
Operating voltage (DC)	Vopr	24	v
Each Chip Voltage Max.		R: 2.0	V
		G: 3.2	V
		B: 3.2	V
Operating Temperature	Topr	-25 TO +60	
Storage Temperature	Tstg	-25 TO +85	

Assembly

Below is the schematic for connecting & fixing

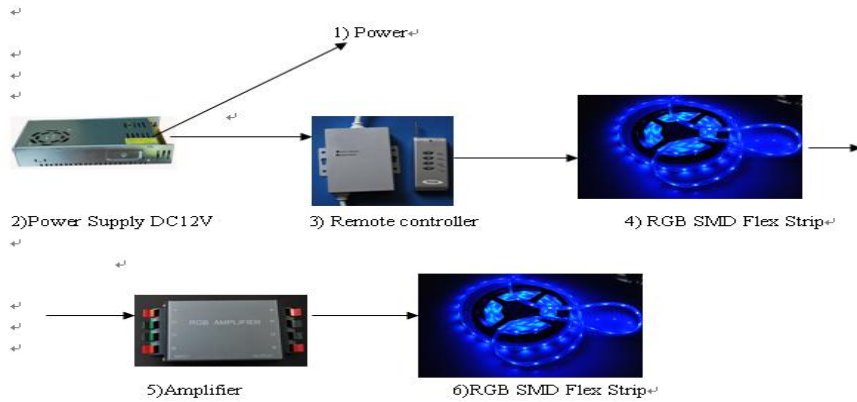


How to run the flex strip

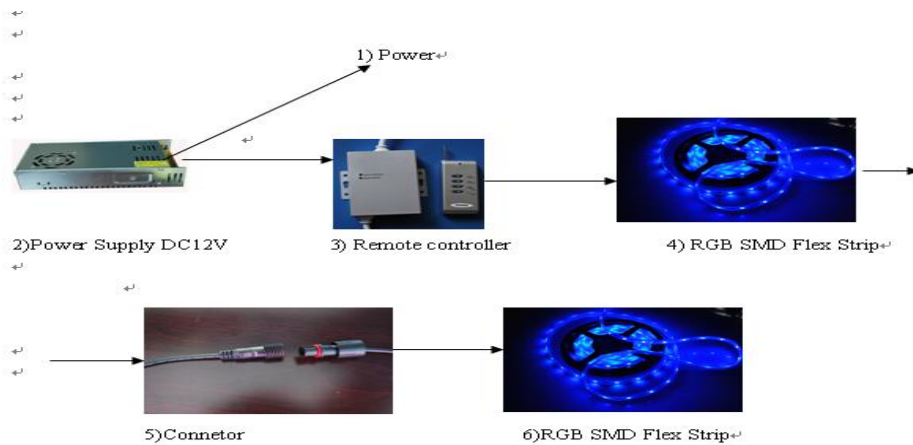
- ✧ We offer connectors after you cut the strip
- ✧ We offer wireless controller for multicolor type
- ✧ We offer suitable power adaptors.
- ✧ All you need to is to connect the necessary fittings, peel off the 3M type and light it up!
- ✧ SMD Flex is packed in reels. There is 5 meters a reel. We provide connectors for connection after cutting to make the connection free of soldering.
- ✧ For RGB SMD Flex we also supply wireless controller to achieve 7 color changing patterns. The patterns can appear the following patterns.

red <
blue <
pink <
green <
yellow <
cyan <
 white
 jumpy changing
 gradual changing

*Connect with controller



*Connect with connector



CAUTIONS:

- Agglutinating the terminal cap & tube by the silica gel at the end of the shortened strip, and lay it for one hour under room temperature. Installing the shortened strip after the gel is well dried lest affecting the waterproof performance.
- Avoiding the components on the PCB When installing the mounting clips, direct or indirect extrusion may damage the components.
- The Min. bending radius is 8mm, excessive bending would damage some components on the strips.
- When fixing the strips by silicon gel, make sure no oil stain or dust existed at two sides because these sundries may influence the silica gel's agglutinating strength.
- May there are some articles could not be agglutinated by silica gel, some antecedent tests may be needed before making use of the silicon gel.
- If you have any question when using our product, please feel free to contact the sales staff .

