

# Selecon

## PLPROFILE4 MKII LED



The PLPROFILE4 MKII luminaire is a LED, variable-beam profile with precise beam control and pattern projection from a high output beam. An innovative combination of LED source technology and precision optical design, the PLPROFILE4 MKII luminaire delivers Selecon's industry benchmark projection quality in a compact, robust luminaire.

A key benefit of the PLPROFILE4 MKII luminaire is that it is no longer necessary to change lamps or color filter. Combining the superior control and light quality of a Selecon Profile with seamless fading between colors allows designers a new level of creativity. Less power consumption and no dimmer circuits makes the PLPROFILE4 MKII luminaire the obvious choice for pattern projection and stage washes on the larger stage.

The PLPROFILE4 MKII luminaire also hosts smart cable management with the inclusion of PLICB (PL Interconnect Box). The PLICB mounts to the luminaires yoke, between the C-Clamp and the yoke and swivels independently to allow for the luminaire to move freely through its focus range with no need for a cable service loop. In addition the PLICB can also be mounted to the side of the yoke for tighter luminaire mounting solutions. The PLICB allows for all of the luminaires cabling with DMX and PowerCON in and through Connections.

# Selecon

## PLPROFILE4 MKII LED

### FEATURES

- Four RGBW LED chips deliver limitless color mixing and variable color temperature
- Seven optical systems: 15°-35° and 25°-50° Zoomspots; 14°,19°, 26°, 36° and 50° Fixed Beams.
- All lens tubes interchangeable and can be ordered separately. 360° barrel rotation
- Infinite color choice from the RGBW engines and supporting color temperatures from 2300K to 9970K in white
- Homogenized fully mixed color output light, no multiple color shadows
- 50,000 hours of life expectancy
- Quick selection of Warm White, Cool White, and Daylight
- Color presets simplifies matching existing light sources
- User defined on board presets states available to record your color composition
- Constant color balance down to very low light levels irrespective of intensity setting
- DMX512 Input/Output with 8 or 16-bit resolution or a simple 5-channel control (PLICB)
- On-board LCD menu for ease of luminaire set up and addressing
- No ultra-violet (wavelengths of less than 400nm) – for UVA, B or C or the Infrared spectrum (wavelengths of more than 775nm)
- Electronic universal power supply 100-240VAC
- PowerCON In and Through connectors (PLICB)
- cETLus listed, C-Tick, and CE marked (IP20 Rated)

### ADVANCED CONTROL

The PLPROFILE4 MKII LED luminaire has an on-board LCD menu system for luminaire setup, control, and addressing. The revised menu system is extremely user-friendly, offering all the configuration options within a few button presses, speeding up setup.

### CONSOLE CONTROL

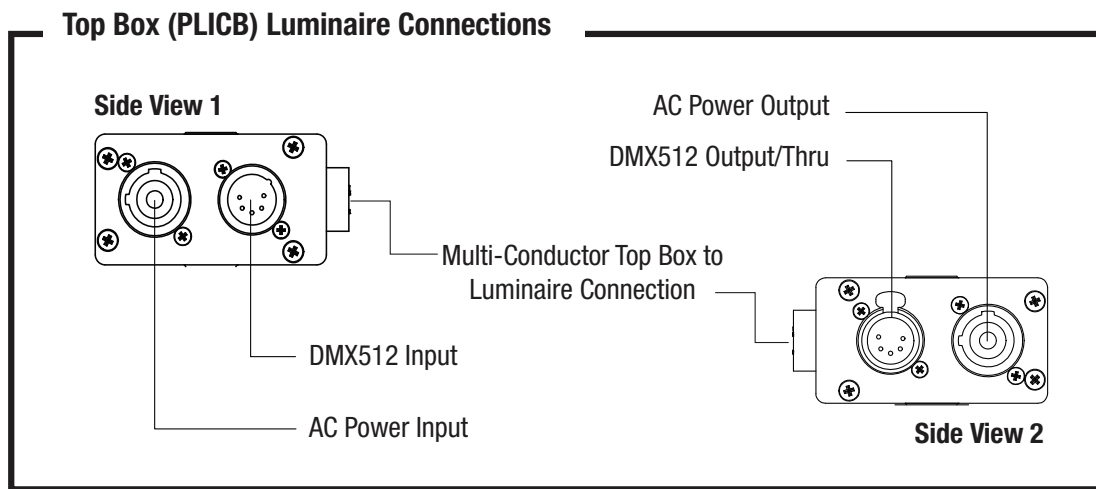
All PLPROFILE4 MKII LED luminaires now have added support for Remote Device Management (RDM) and DMX512 control. A choice of 8 or 16 bit control resolution or new, simple, 5-channel control is available. Extended color and color temperature control is provided by either the Strand NEO or Palette families of control consoles to simplify programming and luminaire color matching.

# Selecon

## PLPROFILE4 MKII LED

### PLPROFILE4 MKII LED ENGINE

The PLFRESNEL1 MKII luminaire's powerful LED engine offers exceptional performance and life. Under normal operating conditions our LED engine has a life expectancy in excess of 50,000 hours, however under worse case operating conditions with the luminaire set to continuous full output, it is possible that a small percentage of LEDs may require replacement sooner. With the new LED engine, power consumption has been reduced by approximately 7%, while color consistency has been greatly improved, ensuring unit-to-unit matching of colors.



# Selecon

## PLPROFILE4 MKII LED

SOURCE			
<b>Type</b>	4 Each, True RGBW 120W LED chip		
<b>Wattage (max)</b>	580W		
OPTICAL PERFORMANCE			
<b>Output lumens</b>	>2000 (full RGBW white light)		
<b>Output CRI</b>	85		
BEAM			
<b>Beam angle</b>	15-54°		
POWER			
<b>Operating voltage</b>	100-240VAC		
<b>Frequency</b>	50 / 60 Hz		
<b>LEDs off</b>	17W		
<b>Power save mode</b>	<500mW		
<b>Current</b>	20A		
IMAGING			
<b>Gobo slots</b>	2		
<b>Gobo size</b>	B (metal or glass)		
DATA CONNECTIONS			
<b>DMX512</b>	Input, output / thru 15 Channels (16-Bit Mode) 9 Channels (8-Bit Mode) 5 Channels (5-Channel Mode)		
<b>AC power</b>	Input / output		
<b>Multi-conductor</b>	Top box to luminaire connection		
<b>Control</b>	On-board menu / DMX512 / RDM		
PHYSICALS			
<b>IP Rating</b>	IP20		
<b>Finish</b>	Black		
<b>Construction</b>	Machined aluminum, sheet metal, and molded engineering grade plastic components		
ENVIRONMENT		°C	°F
<b>Ambient temperature</b>	0-40		32-104
DIMENSIONS		mm	in
<b>H x W x D</b>	341.9 x 444.8 x 208.3		13.5 x 17.5 x 8.2

# Selecon

## PLPROFILE4 MKII LED

### LENS TUBE LENGTH

Fixed	14°	19°	26°	36°
mm	400	310	270	250
in	15.7	12.2	10.6	9.8
Zoom	50	15-35	25-50	
mm	200	370	280	
in	7.9	14.6	11.0	

### FIXTURE LENGTH

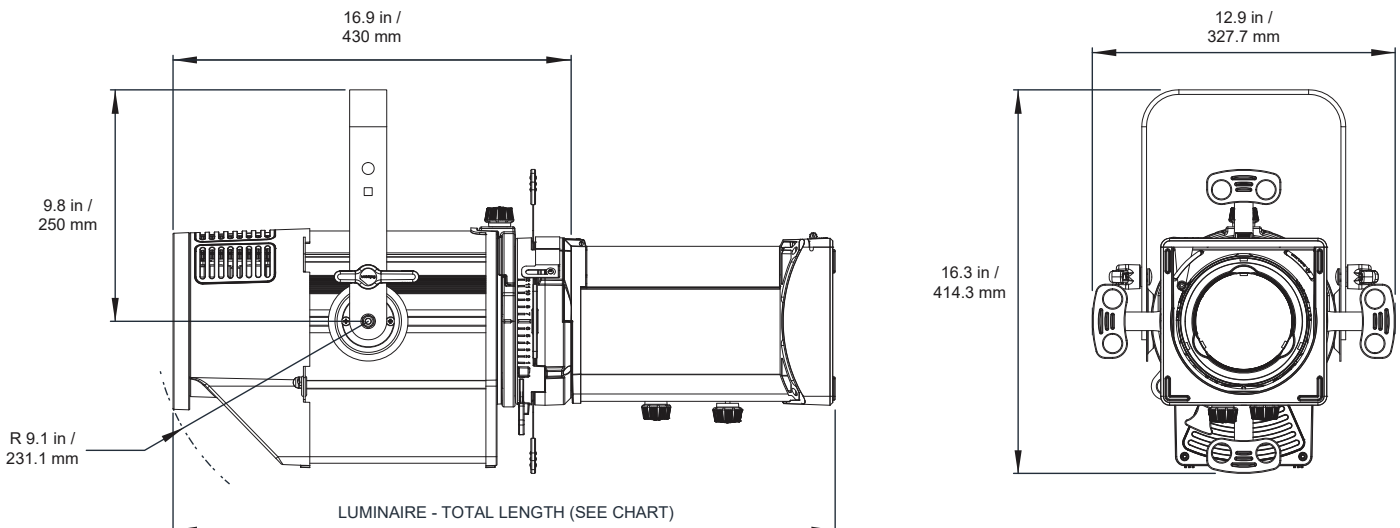
Fixed	14°	19°	26°	36°
mm	835	745	705	685
in	32.9	29.3	27.7	27.0
Zoom	50	15-35	25-50	
mm	635	805	715	
in	25.0	31.7	28.1	

### WEIGHT

	kg	lb
Net weight	12.8	28.2

### WARRANTY & APPROBATIONS

Warranty	2 years
Approvals / Listings	cETLus Listed, CE and C-Tick Mark



# Selecon

## PLPROFILE4 MKII LED

### PHOTOMETRIC DATA - VARIABLE ZOOM LENS (15-35°)

#### 15° (NARROW)\*\*

ILLUMINANCE (LUX)	3.1	4.6	6.1	7.6	9.1	10.7	12.2	13.7	15.2	16.8	18.3
<b>Beam Diameter (m)</b>	<b>0.8</b>	<b>1.2</b>	<b>1.6</b>	<b>2</b>	<b>2.4</b>	<b>2.8</b>	<b>3.2</b>	<b>3.6</b>	<b>4</b>	<b>4.4</b>	<b>4.8</b>
<b>Full RGBW</b>	9246	4109	2311	1479	1027	755	578	457	370	306	257
<b>Daylight - 7300K</b>	8104	3602	2026	1297	900	662	507	400	324	268	225
<b>Cool white - 4340K</b>	7278	3235	1819	1164	809	594	455	359	291	241	202
<b>Warm white - 3260K</b>	6119	2719	1530	979	680	499	382	302	245	202	170
<b>Red*</b>	1227	545	307	196	136	100	77	61	49	41	34
<b>Green*</b>	3284	1459	821	525	365	268	205	162	131	109	91
<b>Blue*</b>	251	111	63	40	28	20	16	12	10	8	7
<b>White*</b>	4836	2149	1209	774	537	395	302	239	193	160	134

#### 25° (MEDIUM)\*\*

ILLUMINANCE (LUX)	3.1	4.6	6.1	7.6	9.1	10.7	12.2	13.7	15.2	16.8	18.3
<b>Beam Diameter (m)</b>	<b>1.4</b>	<b>2.0</b>	<b>2.7</b>	<b>3.4</b>	<b>4.1</b>	<b>4.7</b>	<b>5.4</b>	<b>6.1</b>	<b>6.8</b>	<b>7.4</b>	<b>8.1</b>
<b>Full RGBW</b>	4396	1954	1099	703	488	359	275	217	176	145	122
<b>Daylight - 7300K</b>	3877	1723	969	620	431	317	242	191	155	128	108
<b>Cool white - 4340K</b>	3543	1575	886	567	394	289	221	175	142	117	98
<b>Warm white - 3260K</b>	2917	1296	729	467	324	238	182	144	117	96	81
<b>Red*</b>	581	258	145	93	65	47	36	29	23	19	16
<b>Green*</b>	1580	702	395	253	176	129	99	78	63	52	44
<b>Blue*</b>	122	54	30	19	14	10	8	6	5	4	3
<b>White*</b>	2311	1027	578	370	257	189	144	114	92	76	64

#### 35° (WIDE)\*\*

ILLUMINANCE (LUX)	3.1	4.6	6.1	7.6	9.1	10.7	12.2	13.7	15.2	16.8	18.3
<b>Beam Diameter (m)</b>	<b>1.9</b>	<b>2.9</b>	<b>3.8</b>	<b>4.8</b>	<b>5.8</b>	<b>6.7</b>	<b>7.7</b>	<b>8.6</b>	<b>9.6</b>	<b>10.6</b>	<b>11.5</b>
<b>Full RGBW</b>	2805	1247	701	449	312	229	175	139	112	93	78
<b>Daylight - 7300K</b>	2520	1120	630	403	280	206	157	124	101	83	70
<b>Cool white - 4340K</b>	2353	1046	588	376	261	192	147	116	94	78	65
<b>Warm white - 3260K</b>	1942	863	486	311	216	159	121	96	78	64	54
<b>Red*</b>	388	172	97	62	43	32	24	19	16	13	11
<b>Green*</b>	1039	462	260	166	115	85	65	51	42	34	29
<b>Blue*</b>	85	38	21	14	9	7	5	4	3	3	2
<b>White*</b>	1498	666	375	240	166	122	94	74	60	50	42

\*Calibration OFF and Red Correction OFF

\*\*Angles are defined as per PLASA Standard ANSI E1.9-2007 (R2012)

# Selecon

## PLPROFILE4 MKII LED

### PHOTOMETRIC DATA - VARIABLE ZOOM LENS (25-50°)

#### 25° (NARROW)\*\*

ILLUMINANCE LUX	3.1	4.6	6.1	7.6	9.1	10.7	12.2	13.7	15.2	16.8	18.3
<b>Beam Diameter (m)</b>	<b>1.9</b>	<b>2.9</b>	<b>3.8</b>	<b>4.8</b>	<b>5.8</b>	<b>6.7</b>	<b>7.7</b>	<b>8.6</b>	<b>9.6</b>	<b>10.6</b>	<b>11.5</b>
<b>Full RGBW</b>	5320	2364	1330	851	591	434	332	263	213	176	148
<b>Daylight - 7300K</b>	4664	2073	1166	746	518	381	291	230	187	154	130
<b>Cool white - 4340K</b>	4243	1886	1061	679	471	346	265	210	170	140	118
<b>Warm white - 3260K</b>	3519	1564	880	563	391	287	220	174	141	116	98
<b>Red*</b>	713	317	178	114	79	58	45	35	29	24	20
<b>Green*</b>	1855	824	464	297	206	151	116	92	74	61	52
<b>Blue*</b>	143	63	36	23	16	12	9	7	6	5	4
<b>White*</b>	2762	1227	690	442	307	225	173	136	110	91	77

#### 37° (MEDIUM)\*\*

ILLUMINANCE LUX	3.1	4.6	6.1	7.6	9.1	10.7	12.2	13.7	15.2	16.8	18.3
<b>Beam Diameter (m)</b>	<b>2.0</b>	<b>3.1</b>	<b>4.1</b>	<b>5.1</b>	<b>6.1</b>	<b>7.1</b>	<b>8.2</b>	<b>9.2</b>	<b>10.2</b>	<b>11.2</b>	<b>11.5</b>
<b>Full RGBW</b>	3916	1740	979	626	435	320	245	193	157	129	109
<b>Daylight - 7300K</b>	3465	1540	866	554	385	283	217	171	139	115	96
<b>Cool white - 4340K</b>	3162	1405	790	506	351	258	198	156	126	105	88
<b>Warm white - 3260K</b>	2617	1163	654	419	291	214	164	129	105	87	73
<b>Red*</b>	526	234	131	84	58	43	33	26	21	17	15
<b>Green*</b>	1396	620	349	223	155	114	87	69	56	46	39
<b>Blue*</b>	108	48	27	17	12	9	7	5	4	4	3
<b>White*</b>	2066	918	516	331	230	169	129	102	83	68	57

#### 50° (MEDIUM)\*\*

ILLUMINANCE LUX	3.1	4.6	6.1	7.6	9.1	10.7	12.2	13.7	15.2	16.8	18.3
<b>Beam Diameter (m)</b>	<b>2.8</b>	<b>4.3</b>	<b>5.7</b>	<b>7.1</b>	<b>8.5</b>	<b>9.9</b>	<b>11.4</b>	<b>12.8</b>	<b>14.2</b>	<b>15.6</b>	<b>17.1</b>
<b>Full RGBW</b>	2617	1163	654	419	291	214	164	129	105	87	73
<b>Daylight - 7300K</b>	2292	1019	573	367	255	187	143	113	92	76	64
<b>Cool white - 4340K</b>	2095	931	524	335	233	171	131	103	84	69	58
<b>Warm white - 3260K</b>	1732	770	433	277	192	141	108	86	69	57	48
<b>Red*</b>	355	158	89	57	39	29	22	18	14	12	10
<b>Green*</b>	921	409	230	147	102	75	58	45	37	30	26
<b>Blue*</b>	70	31	17	11	8	6	4	3	3	2	2
<b>White*</b>	1363	606	341	218	151	111	85	67	55	45	38

\*Calibration OFF and Red Correction OFF

\*\*Angles are defined as per PLASA Standard ANSI E1.9-2007 (R2012)

# Selecon

## PLPROFILE4 MKII LED

### PHOTOMETRIC DATA - FIXED LENS (14-50°)

14°\*\*

ILLUMINANCE LUX	3.1	4.6	6.1	7.6	9.1	10.7	12.2	13.7	15.2	16.8	18.3
<b>Beam Diameter (m)</b>	<b>0.7</b>	<b>1.1</b>	<b>1.5</b>	<b>1.9</b>	<b>2.2</b>	<b>2.6</b>	<b>3.0</b>	<b>3.4</b>	<b>3.7</b>	<b>4.1</b>	<b>4.5</b>
<b>Full RGBW</b>	6867	3052	1717	1099	763	561	429	339	275	227	191
<b>Daylight - 7300K</b>	6143	2730	1536	983	683	501	384	303	246	203	171
<b>Cool white - 4340K</b>	5652	2512	1413	904	628	461	353	279	226	187	157
<b>Warm white - 3260K</b>	4709	2093	1177	753	523	384	294	233	188	156	131
<b>Red*</b>	940	418	235	150	104	77	59	46	38	31	26
<b>Green*</b>	2548	1132	637	408	283	208	159	126	102	84	71
<b>Blue*</b>	202	90	50	32	22	16	13	10	8	7	6
<b>White*</b>	3809	1693	952	609	423	311	238	188	152	126	106

19°\*\*

ILLUMINANCE LUX	3.1	4.6	6.1	7.6	9.1	10.7	12.2	13.7	15.2	16.8	18.3
<b>Beam Diameter (m)</b>	<b>1.0</b>	<b>1.5</b>	<b>2.0</b>	<b>2.6</b>	<b>3.1</b>	<b>3.6</b>	<b>4.1</b>	<b>4.6</b>	<b>5.1</b>	<b>5.6</b>	<b>6.1</b>
<b>Full RGBW</b>	7203	3201	1801	1152	800	588	450	356	288	238	200
<b>Daylight - 7300K</b>	6312	2805	1578	1010	701	515	394	312	252	209	175
<b>Cool white - 4340K</b>	5718	2542	1430	915	635	467	357	282	229	189	159
<b>Warm white - 3260K</b>	4746	2109	1186	759	527	387	297	234	190	157	132
<b>Red*</b>	948	422	237	152	105	77	59	47	38	31	26
<b>Green*</b>	2562	1138	640	410	285	209	160	126	102	85	71
<b>Blue*</b>	200	89	50	32	22	16	13	10	8	7	6
<b>White*</b>	3714	1651	928	594	413	303	232	183	149	123	103

26°\*\*

ILLUMINANCE LUX	3.1	4.6	6.1	7.6	9.1	10.7	12.2	13.7	15.2	16.8	18.3
<b>Beam Diameter (m)</b>	<b>1.4</b>	<b>2.1</b>	<b>2.8</b>	<b>3.5</b>	<b>4.2</b>	<b>4.9</b>	<b>5.6</b>	<b>6.3</b>	<b>7.0</b>	<b>7.7</b>	<b>8.4</b>
<b>Full RGBW</b>	4069	1808	1017	651	452	332	254	201	163	135	113
<b>Daylight - 7300K</b>	3573	1588	893	572	397	292	223	176	143	118	99
<b>Cool white - 4340K</b>	3275	1456	819	524	364	267	205	162	131	108	91
<b>Warm white - 3260K</b>	2713	1206	678	434	301	221	170	134	109	90	75
<b>Red*</b>	552	245	138	88	61	45	34	27	22	18	15
<b>Green*</b>	1457	647	364	233	162	119	91	72	58	48	40
<b>Blue*</b>	111	49	28	18	12	9	7	5	4	4	3
<b>White*</b>	2151	956	538	344	239	176	134	106	86	71	60

\*Calibration OFF and Red Correction OFF

\*\*Angles are defined as per PLASA Standard ANSI E1.9-2007 (R2012)



# Selecon

## PLPROFILE4 MKII LED

36°\*\*

ILLUMINANCE LUX	3.1	4.6	6.1	7.6	9.1	10.7	12.2	13.7	15.2	16.8	18.3
<b>Beam Diameter (m)</b>	<b>2.0</b>	<b>3.0</b>	<b>4.0</b>	<b>5.0</b>	<b>5.9</b>	<b>6.9</b>	<b>7.9</b>	<b>8.9</b>	<b>9.9</b>	<b>10.9</b>	<b>11.9</b>
<b>Full RGBW</b>	2518	1119	630	403	280	206	157	124	101	83	70
<b>Daylight - 7300K</b>	2208	981	552	353	245	180	138	109	88	73	61
<b>Cool white - 4340K</b>	2005	891	501	321	223	164	125	99	80	66	56
<b>Warm white - 3260K</b>	1658	737	415	265	184	135	104	82	66	55	46
<b>Red*</b>	334	148	84	53	37	27	21	16	13	11	9
<b>Green*</b>	886	394	221	142	98	72	55	44	35	29	25
<b>Blue*</b>	68	30	17	11	8	6	4	3	3	2	2
<b>White*</b>	1305	580	326	209	145	107	82	64	52	43	36

50°\*\*

ILLUMINANCE LUX	3.1	4.6	6.1	7.6	9.1	10.7	12.2	13.7	15.2	16.8	18.3
<b>Beam Diameter (m)</b>	<b>2.8</b>	<b>4.3</b>	<b>5.7</b>	<b>7.1</b>	<b>8.5</b>	<b>9.9</b>	<b>11.4</b>	<b>12.8</b>	<b>14.2</b>	<b>15.6</b>	<b>17.1</b>
<b>Full RGBW</b>	1430	636	358	229	159	117	89	71	57	47	40
<b>Daylight - 7300K</b>	1262	561	315	202	140	103	79	62	50	42	35
<b>Cool white - 4340K</b>	1150	511	288	184	128	94	72	57	46	38	32
<b>Warm white - 3260K</b>	955	425	239	153	106	78	60	47	38	32	27
<b>Red*</b>	188	84	47	30	21	15	12	9	8	6	5
<b>Green*</b>	513	228	128	82	57	42	32	25	21	17	14
<b>Blue*</b>	40	18	10	6	4	3	3	2	2	1	1
<b>White*</b>	759	337	190	121	84	62	47	37	30	25	21

\*Calibration OFF and Red Correction OFF

\*\*Angles are defined as per PLASA Standard ANSI E1.9-2007 (R2012)

# Selecon

## PLPROFILE4 MKII LED

PLPROFILE4 MKII LED	ORDER CODE
LED Engine Only, Black, with C-Clamp, Top Box, Top Box Bolt, Safety Cable and PowerCON AC Input Connector	<b>PLPF4MKII-03</b>
LED Engine, Black, with Axial Ellipsoidal 14° Fixed Beam Lens (SPX14LT), C-Clamp, Top Box, Top Box Bolt, Safety Cable and AC Input Cable (PC1XX*)	<b>PLPF4MKII-03-14</b>
LED Engine, Black, with Axial Ellipsoidal 19° Fixed Beam Lens (SPX19LT), C-Clamp, Top Box, Top Box Bolt, Safety Cable and AC Input Cable (PC1XX*)	<b>PLPF4MKII-03-19</b>
LED Engine, Black, with Axial Ellipsoidal 26° Fixed Beam Lens (SPX26LT), C-Clamp, Top Box, Top Box Bolt, Safety Cable and AC Input Cable (PC1XX*)	<b>PLPF4MKII-03-26</b>
LED Engine, Black, with Axial Ellipsoidal 36o Fixed Beam Lens (SPX36LT), C-Clamp, Top Box, Top Box Bolt, Safety Cable and AC Input Cable (PC1XX*)	<b>PLPF4MKII-03-36</b>
LED Engine, Black, with Axial Ellipsoidal 50o Fixed Beam Lens (SPX50LT), C-Clamp, Top Box, Top Box Bolt, Safety Cable and AC Input Cable (PC1XX*)	<b>PLPF4MKII-03-50</b>
LED Engine, Black, with Axial Ellipsoidal 15o to 35o Zoomspot Lens (SPX-1535LT), C-Clamp, Top Box, Top Box Bolt, Safety Cable and AC Input Cable (PC1XX*)	<b>PLPF4MKII-03-1535</b>
LED Engine, Black, with Axial Ellipsoidal 25o to 50o Zoomspot Lens (SPX-1535LT), C-Clamp, Top Box, Top Box Bolt, Safety Cable and AC Input Cable (PC1XX*)	<b>PLPF4MKII-03-2550</b>
<b>ACCESSORIES - LENS PROJECTION</b>	
20-Leaf SPX Iris	<b>20IRIS</b>
SPX Gobo Holder, Size B, for Metal Gobos	<b>SPXGHB</b>
SPX Gobo Holder, Size B, for Glass Gobos	<b>SPXGHGB</b>
SPX Color Frame, Spare	<b>19PACCF</b>
SPX Lens Safety, Mesh	<b>19PACSMFB</b>
SPX Replacement Color Frame, 6-1/4" Square, Black	<b>19SPXCF</b>
SPX Axial Ellipsoidal 14o Fixed Beam Lens Tube Only	<b>SPX14LT</b>
SPX Axial Ellipsoidal 19o Fixed Beam Lens Tube Only	<b>SPX19LT</b>
SPX Axial Ellipsoidal 26o Fixed Beam Lens Tube Only	<b>SPX26LT</b>
SPX Axial Ellipsoidal 36o Fixed Beam Lens Tube Only	<b>SPX36LT</b>
SPX Axial Ellipsoidal 50o Fixed Beam Lens Tube Only	<b>SPX50LT</b>
SPX Axial Ellipsoidal 15o to 35o Zoomspot Lens Tube Only	<b>SPX1535LT</b>
SPX Axial Ellipsoidal 25o to 50o Zoomspot Lens Tube Only	<b>SPX2550LT</b>
Universal Lens Tube Adapter	<b>PLPF4ULTA</b>
<b>ACCESSORIES - CLAMPS</b>	
Selecon Molded Yoke Rated C-Clamp	<b>SC</b>
Mega Claw, Black Anodized	<b>MC</b>
<b>ACCESSORIES - TOP BOX ASSEMBLY</b>	
Spare Top Box (Interconnect) Assembly	<b>PLICB</b>

# Selecon

## PLPROFILE4 MKII LED

### ACCESSORIES - AC POWER INPUT CABLES

39 inches / 1 meter, PowerCON without AC connector (bare end)	<b>PC1BE</b>
39 inches / 1 meter, PowerCON with Stagepin connector	<b>PC1GP</b>
39 inches / 1 meter, PowerCON with Twistlock Connector	<b>PC1GTL</b>
39 inches / 1 meter, PowerCON with Edison Connector	<b>PC1GR</b>

### ACCESSORIES - AC INTERCONNECT CABLES

PowerCON Male to PowerCON Female 2.5 Meter Cable for interconnection between units	<b>PC3PC</b>
--	--------------

### ACCESSORIES - LUMINAIRE SOFTWARE UPLOADER CABLE

USB Luminaire Software Programming Kit (for updating luminaire firmware) - includes USB Upload Cable, QuickStart Guide, and Carry Bag	<b>PEGASUS</b>
---	----------------

\*Specify AC input connector at time of ordering (GR - Edison / GP -Grounded Stagepin / GTL - Twistlock).

© 2018 Signify Holding. All rights reserved.

All trademarks are owned by Signify Holding or their respective owners. The information provided herein is subject to change, without notice. Signify does not give any representation or warranty as to the accuracy or completeness of the information included herein and shall not be liable for any action in reliance thereon. The information presented in this document is not intended as any commercial offer and does not form part of any quotation or contract, unless otherwise agreed by Signify. Data subject to change.

Ref: PLPF4MKII-03-100-00

WWW.STRANDLIGHTING.COM