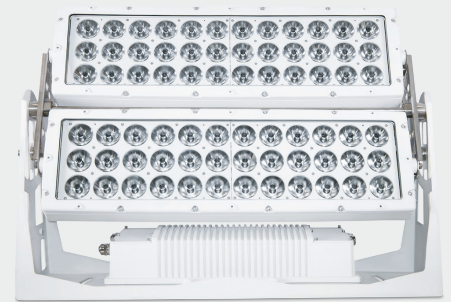
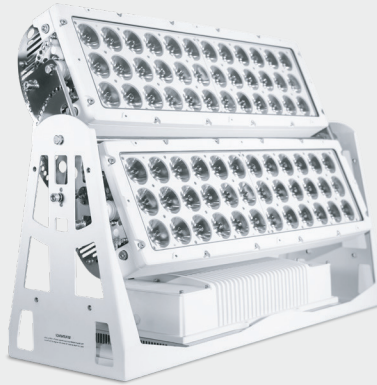


CYCLOPS LIGHTING



TITAN 172-C is a 72x15 watts Cool White LED city wash. It has high light efficiency, high illumination, high performance, and stability, it is realizable to achieve the perfect color interpretation and ultra-long light casting distance. Optional wireless DMX512 control, it provides diverse lighting solutions for a variety of large outdoor lighting projects, an ideal lighting fixture for towers, bridges, large venues, integrated commercial building, and other large occasions.

SOURCE Light source: 72x15 watts Cool White
LED life expectancy: 50,000 Hrs
Peak Intensity: 2217600 cd (4°)

OPTICAL SYSTEM Optics: 4°, 10°, 20°
Light output: 23,000 Lux @2m @ 4°

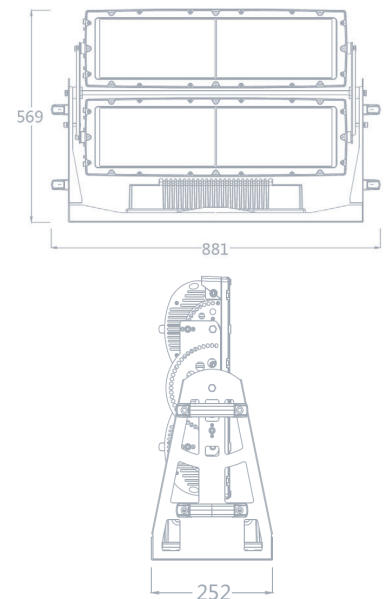
CONTROL & PROGRAMMING Control Protocols: DMX
DMX control channels: 0-100% dimming
Controllable sections: 2
Color: Cool White

ELECTRICAL Input Voltage: AC 100-240V, 50/60Hz
Max Power: 1200 W
Power Factor: > 0.9

CONNECTIONS Power connection: 3m cable(input only)
Data connection: 3m cable (input + output)

PHYSICAL Dimensions: 881x252x569 mm
Net Weight: 46 kg
Color: Off - white (Gray, Black Optional)
Housing: Die-cast aluminum
Security: Anti-thunder shock protection design
IP Rating: 66
Operation temperature: - 40°C~45°C (operating) /
- 20°C~45°C (startup)

Dimensions



Luminous Diagram

