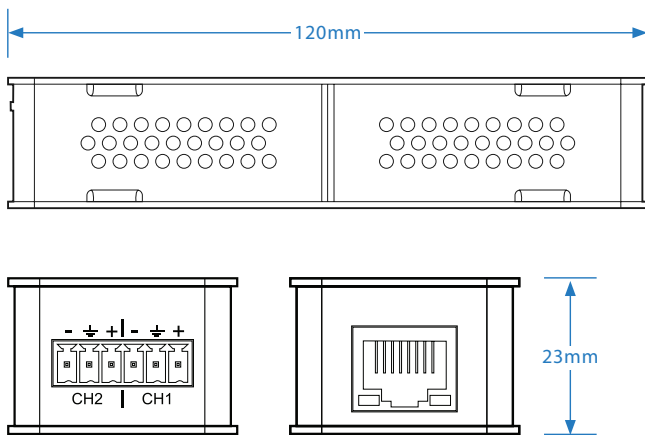


2ch Analogue Audio to Dante® Converter

Description

Our DA11AU has been designed to convert unbalanced or balanced 2ch analogue audio to Dante® digital signal. The DA11AU allows any non-Dante® audio source such as mixing consoles, amplifiers, computers and Blustream Matrix or audio distribution products to be connected as a source within a Dante® network. The DA11AU is a plug & play device that is powered using PoE (Power Over Ethernet) from any PoE network switch and supports AES67 RTP audio transport.



Key Features

- Analogue audio inputs support both balanced and unbalanced audio signals
- Supports 44.1, 48 & 96 KHz sample rates @ 24 Bit
- Configurable Dante® device latency (supports 1, 2 or 5ms configurable using Dante® Controller)
- Supports AES67 RTP audio transport
- Features Class 1 802.3af PoE for powering of product from any PoE switch

Specifications

- **Audio Input Connectors:** 6-PIN Phoenix connector (2ch balanced / un-balanced analogue audio)
- **Audio Output Connectors:** 1 x RJ45, female (100 Mbps Dante® network)
- **Casing Dimensions (W x H x D):** 120mm x 23mm x 34mm
- **Shipping Weight:** 0.2kg
- **Operating Temperature:** 32°F to 104°F (0°C to 40°C)
- **Storage Temperature:** -4°F to 140°F (-20°C to 60°C)
- **Power Supply:** Class 1 IEEE 802.3af POE PD



Regulatory Compliance



CAN ICES-3 (B)/NMB-3(B)

Blustream cannot be held responsible for errors in typography or photography. Specifications are subject to change without notice.